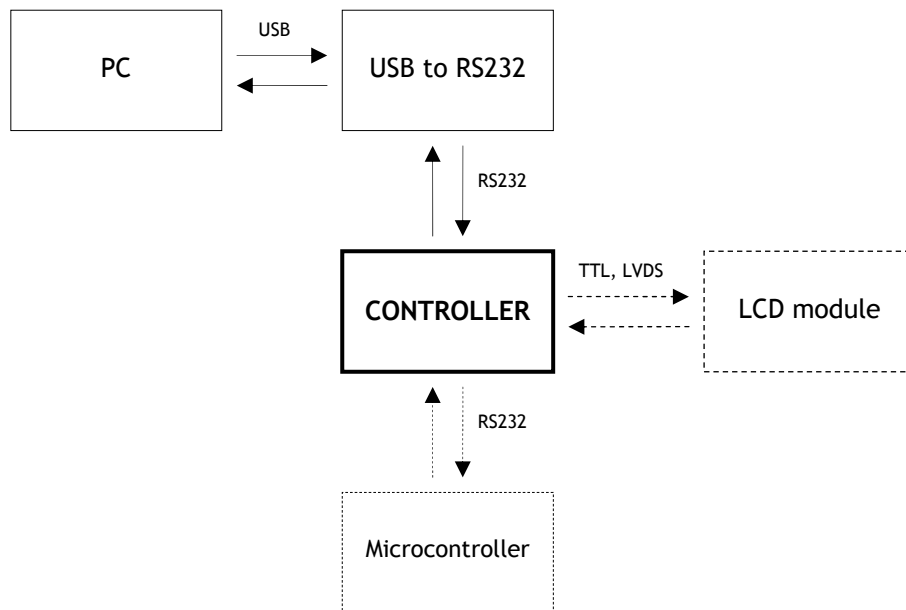


External display

Hardware



Software

Informational

- get system info

Backlit control

- get status
- set intensity

Elementary drawing

- line
- shape (rectangle, circle, ellipse)
- curves (Bezier)

Accelerated operations

- flood fill
- copy rectangle
- double buffer
- sprite support

Character drawing

- upload font
- draw by font