

# RS232 to TTL converter

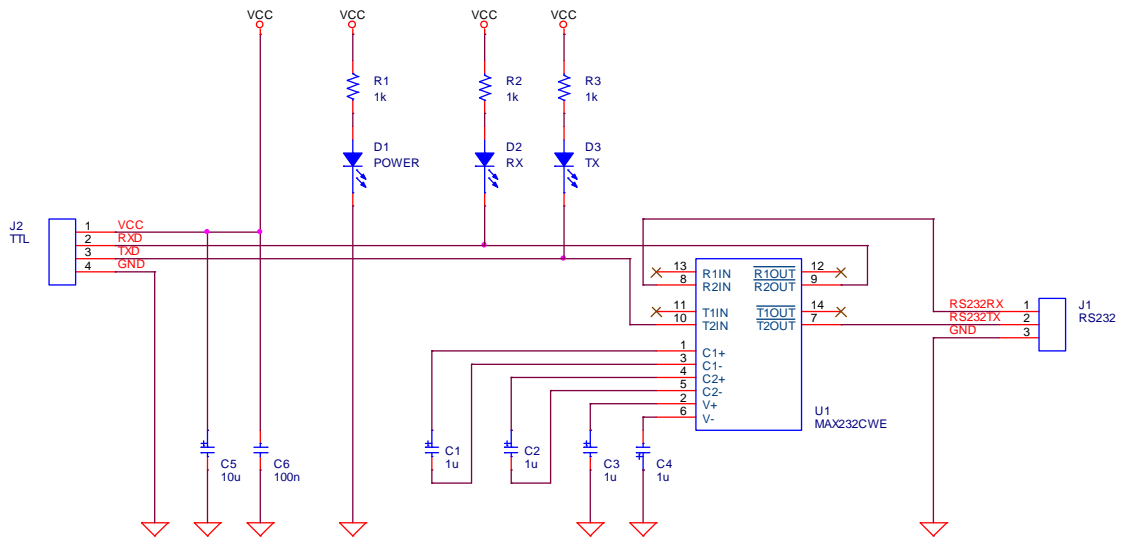


Fig.1: Circuit diagram

## PCB

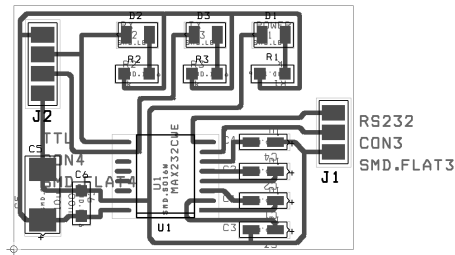


Fig.2: PCB Design

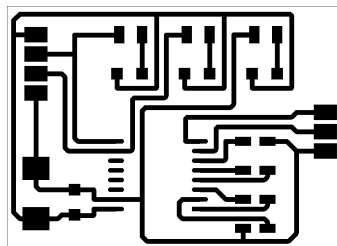


Fig.3: PCB layout in scale 1:1 (size is 1.75" x 1.25")

## BOM

U1	MAX232CWE	SMD wide SO16
D1	Green	SMD LED, 1210
D2,D3	Orange	SMD LED, 1210
R1-R3	1kΩ	resistor, 1206
C1-C4	1µF	tantalum capacitor, size A
C5	10µF	tantalum capacitor, size C
C6	100nF	ceramic capacitor, 1206
J1	3 pads	for SMT
J2	4 pads	for SMT