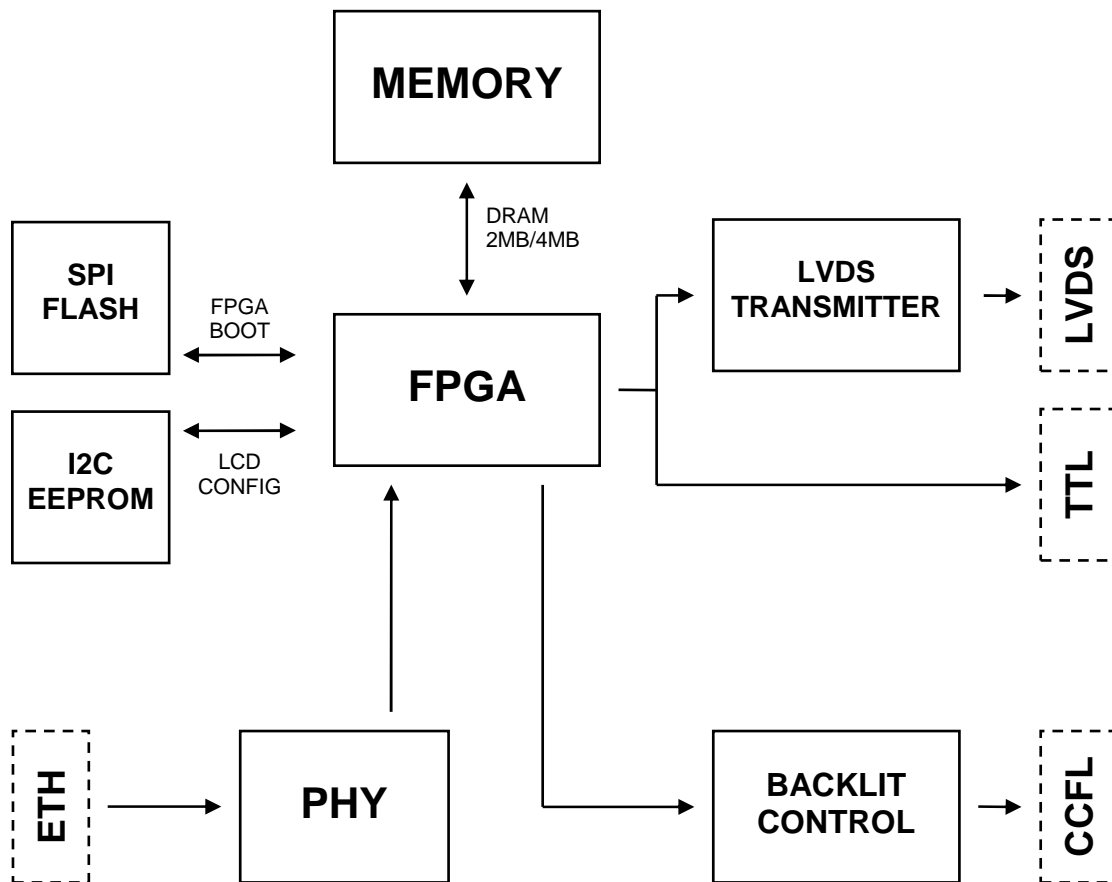


NDC

NETWORK DISPLAY CONTROLLER

IDEA

Design derived from EVC (*Embedded Video Controller*) by leaving out the microcontroller part and connecting the Ethernet interface directly to the FPGA.



Resolution	Frame upload time [milliseconds]				Frames per second [frame/s]			
	78	52	8	5	12,9	19,3	128,9	193,3
640x480	78	52	8	5	12,9	19,3	128,9	193,3
800x600	121	81	12	8	8,2	12,4	82,5	123,7
1024x768	199	132	20	13	5,0	7,5	50,3	75,5
1280x800	259	172	26	17	3,9	5,8	38,7	58,0
1280x1024	331	221	33	22	3,0	4,5	30,2	45,3
1400x1050	371	248	37	25	2,7	4,0	26,9	40,4
1600x1200	485	323	49	32	2,1	3,1	20,6	30,9
Color depth	24	16	24	16	24	16	24	16
Network	100 Mbit/s		1000 Mbit/s		100 Mbit/s		1000 Mbit/s	

Protocol overhead assumed to be 5% of the wire speed.